

# IR101-KA2

## ANNUNCIATOR RELAY

DEMA proudly presents the users and modern networks a solid alternative for annunciating duties with IR101-KA2; with the state-of-art physical and functional technology for use in LV, MV or HV facilities; and provides the users numerous assembly, commissioning, operating and servicing advantages as well as the lowest total cost of ownership.

DEMA IR101-KA2 is the enhanced sequel to DEMA IR101-KA1 model, featuring several electrical, mechanical and dimensional improvements, and have been presented to service under the guarantee of ISO 9001:2015 Quality Assurance System.



### TECHNICAL SPECIFICATIONS

Nominal Auxiliary Supply Voltage ( $U_{aux\ n}$ )	(24 / 48 / 110 / 220) $V_{DC}$
Operational Supply Voltage Range	$\pm 15\% U_{r\text{-}aux} / -15\% U_{r\text{-}aux}$
Stand-by Power Consumption	0W
Maximum Power Consumption, excl. horn feed	max.16 W (572 mA / 24 $V_{DC}$ model) max.18 W (322 mA / 48 $V_{DC}$ mode) max.24 W (189 mA / 110 $V_{DC}$ model) max.42 W (166 mA / 220 $V_{DC}$ model)

### APPLICATION AREAS



### SPECIFICATIONS

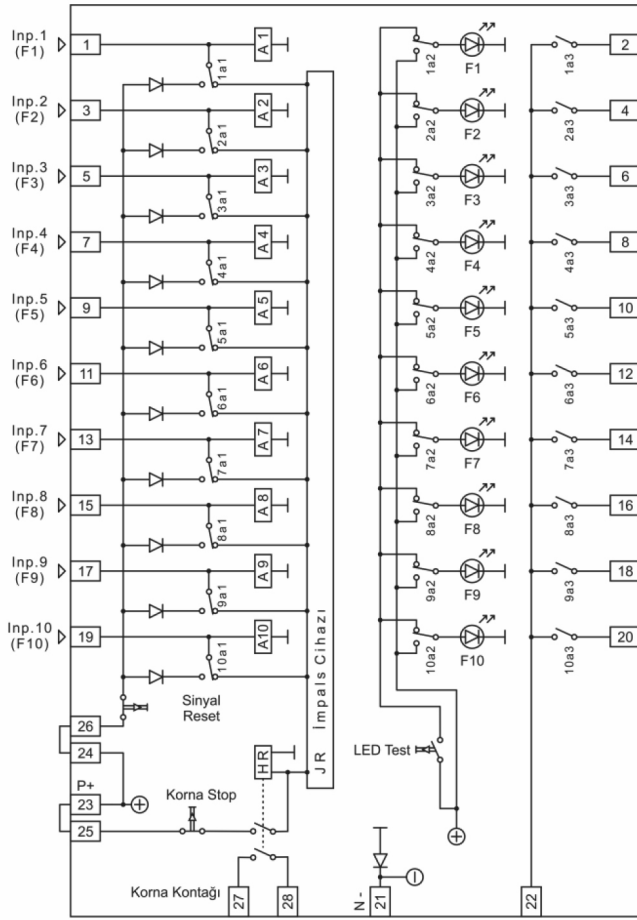
- 10 independent annunciator inputs and outputs.
- Software for annunciator labeling for PC printers.
- Annunciator label changeability.
- Extremely low auxiliary burden
- LED indicators with 1,000,000 h MTBF and extreme brightness for easier notification.
- LED testing function.
- Horn output with LED indication.
- Horn stop function.
- Inputs for external horn stopping and resetting.
- IP52 buttons integrated on the cover.
- Precision manufacturing.
- Draw-out system / removable inner unit.
- Unbreakable protective earth circuit continuity.
- New generation casing with IP52 front side protection, IP20 rear side protection.
- Expert technical crew and matchless customer support.

### CERTIFICATES

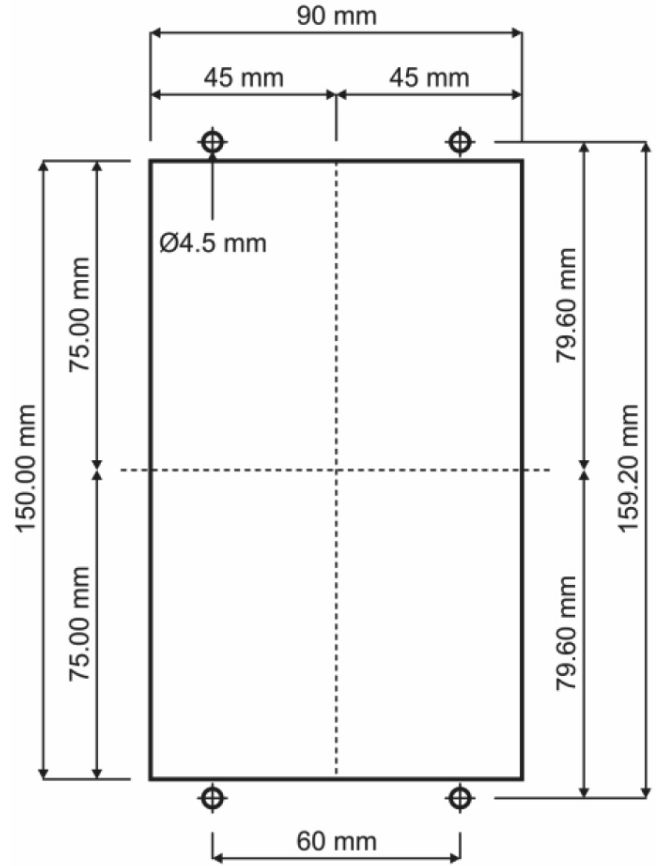


# IR101-KA2 ANNUNCIATOR RELAY

## IR101-KA2 CIRCUIT DIAGRAM



## PANEL CUTTING DIMENSIONS



## IR101-KA2 DIMENSIONS

